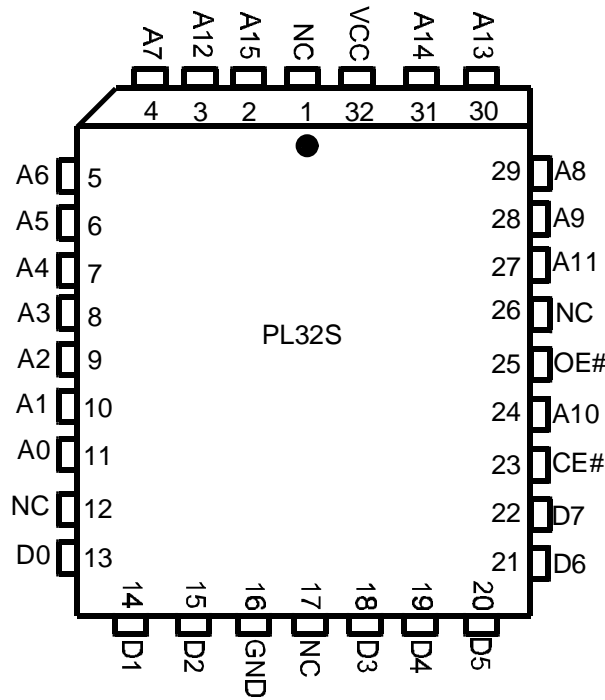




# PL32S

## Memory Footprint



- ❑ 32 pin PLCC, 8 bit
- ❑ Plugs into PLCC sockets
- ❑ 64k bytes and smaller
- ❑ Maximum memory size 64k
- ❑ Maximum PromICE: P1010
- ❑ For **3 Volt parts**, 3 Volt adapter (GEI Part # 3VA8) is required.

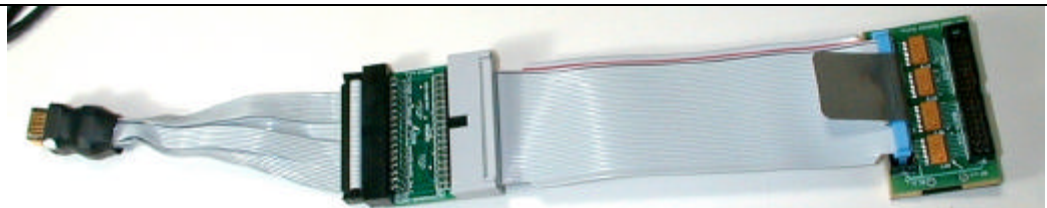
**Note: Maximum memory size is shown in footprint. For smaller memories, unused lines must be connected to V<sub>cc</sub> to ensure proper PromICE operation**

## PLCC Vertical Probe - Location of Pin 1



- ❑ Pin 1 is located 4 pins in from the corner of the probe with the "notch" (polarizing chamfer)".

## Complete Cable Assembly



## Memories Supported

- ❑ 32 pin PLCC Rom devices 64k byte and smaller. 27C64~27C512.
- ❑ [www.promice.com/memories.htm](http://www.promice.com/memories.htm) contains a listing of all memories supported by this cable.

**For Technical Support, contact Grammar Engine at 614-899-7878 or [support@gei.com](mailto:support@gei.com)  
For Sales, contact Grammar Engine Inc. [www.gei.com](http://www.gei.com) or 1.800.PROMICE.**

**Notes and Precautions**

Be sure you have received the correct cable.	
Always turn target power OFF when connecting or disconnect PromICE target cables.	If your target has capacitors, allow sufficient discharge time. Connecting with the power on can damage cables or the PromICE.

**Installation Instructions**

Step	Action	Notes
1.	Verify that you have the correct cable for the memory you are emulating.	If you have the wrong cable, contact Grammar Engine or your distributor for a replacement.

Step	Action	Notes
2.	Align Vertical Probe and Socket.	



Locate the notch on the PLCC socket on your target. The Vertical Flex Probe *must* be inserted into the socket so the notch on the probe and the socket are aligned. If you insert the cable in any other orientation, you can damage the socket, the Probe or your PromICE. If you cannot see a notch on the PLCC socket on your target, consult the PLCC cable schematic to determine the correct orientation.

3.	Insert the Vertical Probe into the PLCC socket.	With the power to your target OFF, insert the PLCC Vertical Probe straight down into the socket on your target. It will "lock into place."
4.	Connect the adapter board to the Vertical Probe.	Connect the Vertical Probe to the identical connector on the adapter board. (These connectors are identical but they fit together - line up the keys and slide the connector on the Vertical Probe straight down onto the adapter board's connector.)
5.	Connect PromICE.	With the power off to your PromICE, connect the shielded ground plane cable to your PromICE.

You are now ready to power up your target and PromICE. Please consult your PromICE manual for further setup information.

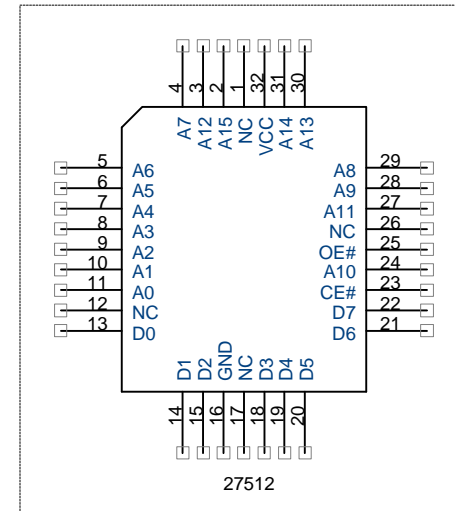
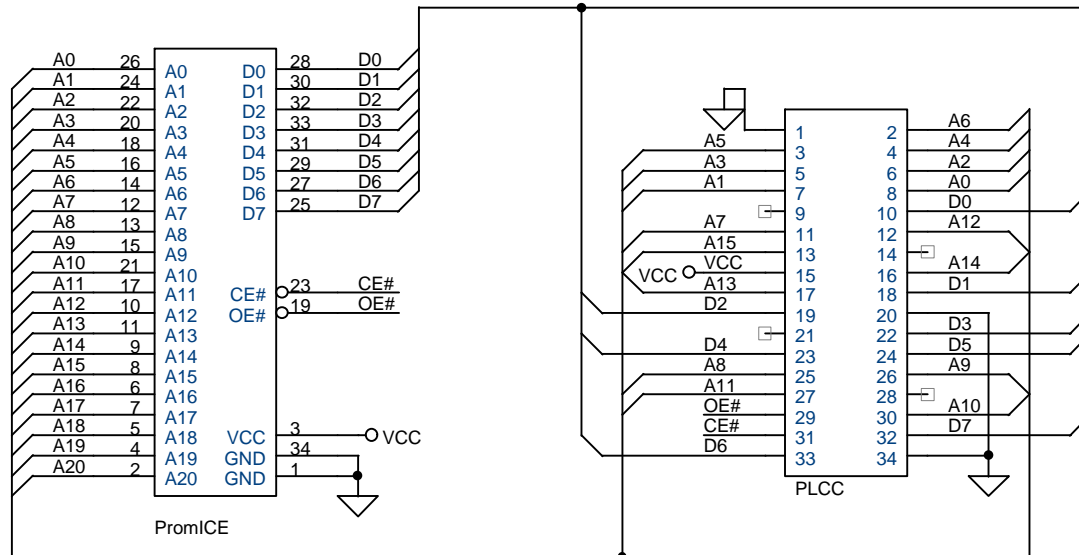
Contact your Grammar Engine Sales Representative to order these parts and accessories:

<b>Cable Parts</b>	<b>PL32C BD 34MF-6EXT 34FF 6 EXT PL32 CBL SR81 BD</b>	<b>Adapter Board 6" Shielded Ground Plane Cable 6" Shielded Ground Plane Cable</b>
<b>Accessories</b>	<b>3VA8</b>	<b>3 Volt Adapter</b>

**For Technical Support, contact Grammar Engine at 614-899-7878 or [support@gei.com](mailto:support@gei.com)  
For Sales information, contact Grammar Engine Inc. at 1.800.PROMICE.**

# PL32S

## 8-bit



### NOTES:

Board ID: PLCC32

**MAX SIZE: 64KB (P1010)**

**SUPPORTS: 32 pin PLCCs 64KB and smaller non-Flash ROMs.**

**PROMICE JUMPER SETTING: 32**

**Uses Emulation Technologies PLCC pod.**

Grammar Engine Inc.

921 Eastwind Drive  
Suite 122  
Westerville OH 43081

Title

PL32S

Size  
A

Document Number  
097-0004

Rev  
1.0

Date: Monday, July 12, 1999

Sheet 1 of 1