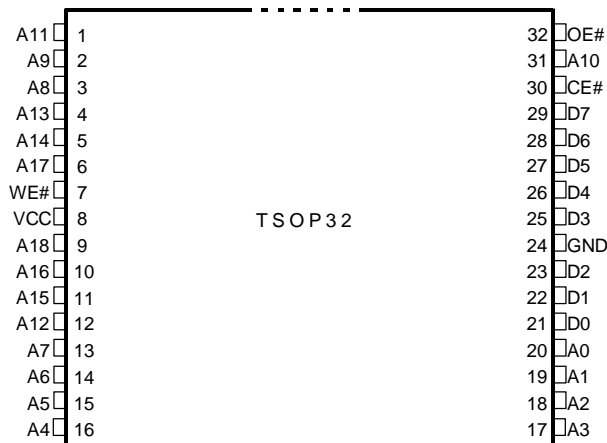


# TSOP 32-CP

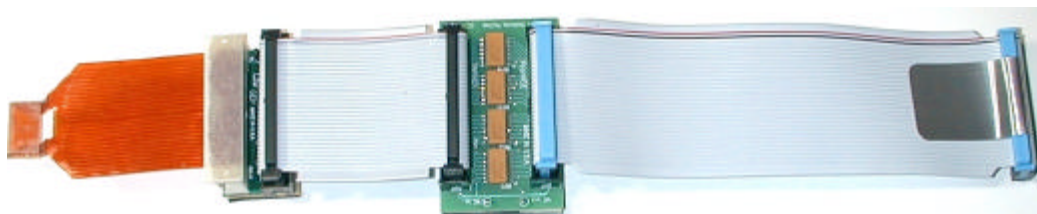
## Memory Footprint



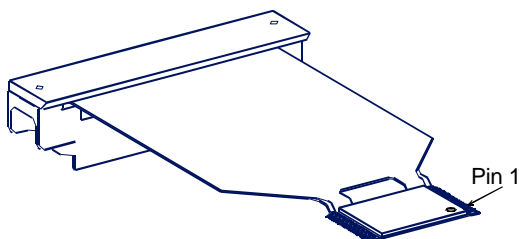
- ❑ 32in TSOP, 8 bit memories
- ❑ Probe plugs into Meritec socket (Meritec Part # 980020-32)
- ❑ Maximum memory size 512k Bytes
- ❑ Organized as 512k x 8 bit
- ❑ Maximum PromICE: P1040
- ❑ For **3 Volt parts**, 3 Volt adapter (GEI Part # 3VA8) is required.

**Note: Maximum memory size is shown in footprint. For smaller memories, unused lines must be connected to V<sub>cc</sub> to ensure proper PromICE operation.**

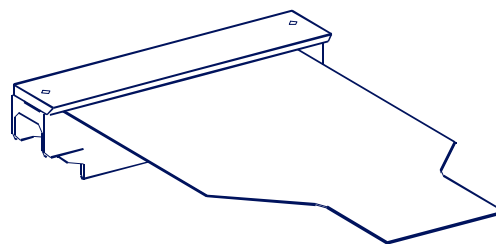
## Complete Cable Assembly



## TSOP Flex Probes



**Correct Probe** – The probe shipped with this cable is intended for insertion in a Meritec socket. Instructions for inserting this probe are included with the probe and in this document.



**Wrong Probe** – This probe is designed to be soldered directly to the PCB. If you received this probe in error, do not attempt to insert it in a socket. Contact Grammar Engine for an exchange.

## Memories Supported

- ❑ [www.promice.com/memories.htm](http://www.promice.com/memories.htm) contains a listing of all memories supported by Grammar Engine target cables. **Note:** This cable supports both ROM and flash memories. Flash signals RP#, WP#, VPP and RESET# are shown on the cable schematic but are not connected to PromICE. PromICE emulates Flash memory as a ROM when used with this cable.
- ❑ Emulates devices like 28F256~020; 29F010; 29F040 and others.

**For Technical Support, contact Grammar Engine at 614-899-7878 or [support@gei.com](mailto:support@gei.com)  
For Sales, contact Grammar Engine Inc. [www.gei.com](http://www.gei.com) or 1.800.PROMICE.**

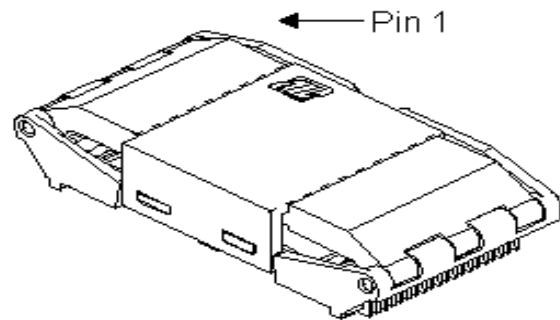
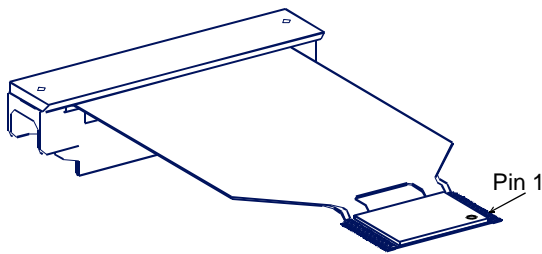
# TSOP 32-CP

## Notes and Precautions

|  |   |
|--|---|
| <p><b>Always turn target power OFF when connecting or disconnect PromICE target cables.</b></p>    | <p>If your target has capacitors, allow sufficient discharge time. Connecting with the power on can damage cables or the PromICE.</p>   |
| <p><b>Important Note: The TSOP plug-in flex probe will work only with Meritec TSOP sockets</b></p> | <p>This probe cannot be used with any other company's TSOP socket. Insertion in any other manufacturer's socket, or attempting to solder a plug-in probe. Will damage the probe and void its warranty.</p>  |
| <p><b>Do not hand solder Meritec sockets on your PCB</b></p>                                       | <p>The Meritec sockets were designed to be placed on the PCB via reflow. <b>DO NOT ATTEMPT TO HAND SOLDER THE SOCKET TO YOUR PCB:</b> solder can wick up into the socket and damage the probe when it is inserted.</p> <p>If you need assistance (including custom socket connection services, contact AlpTex at 440.437.5570</p>   |
| <p><b>Handle the TSOP Flex Probe with care.</b></p>  | <p>Carefully review the flex probe application notes (under the foam in the plastic box) before proceeding. Retain the plastic box to store flex probe when not in use. Damage to the flex probe through mishandling is not covered in your PromICE warranty or support policy. <b>Once the seal on the case is broken, Grammar Engine Inc. cannot accept returns of flex probes.</b></p> |

## Installation Instructions

| Step | Action  | Notes   |
|------|---|---|
| 1.   | <b>Verify that you have the correct cable for the memory you are emulating.</b> | If you have the wrong cable, contact Grammar Engine or your distributor for a replacement.  |
| 2.   | <b>Connect PromICE.</b>   | With the power off to your PromICE, connect the shielded ground plane cables to your PromICE.   |
| 3.   | <b>Connect the adapter board to the Flex Probe.</b>                             | Remove the TSOP Flex Probe from its protective case. Connect the female connector on the Flex Probe to the male connector on the adapter board. Be careful to align the connectors carefully to avoid damaging the pins on the adapter board. |
| 4.   | <b>Align Flex Probe in TSOP socket</b>  | Locate pin 1 on the probe and identify the corresponding pin in your socket.  |



**For Technical Support, contact Grammar Engine at 614-899-7878 or support@gei.com  
For Sales, contact Grammar Engine Inc. at www.gei.com or 1.800.PROMICE.**

If you are unsure of the correct orientation, consult the cable schematic and the schematic of your target board. The flex probe must emerge from the "open" side of the socket.

Lower the TSOP socket vertically and seat it in the socket.

(open side showing)

Inspect (with a magnifier if necessary) to confirm that each pin is fully seated in the socket. Do not insert the probe at an angle, since this can damage individual pins.

|           |                                    |  |
|-----------|------------------------------------|--|
| <b>5.</b> | <b>Close the TSOP socket lids.</b> | <p>Lower the lids until they are almost closed and the cam underneath each lid engage. From that point, close the lids together and latch. <b>DO NOT FORCE THE LIDS CLOSED-THIS WILL DAMAGE THE PROBE.</b> If they do not close easily, open the lids and reseat the probe in the bottom of the socket.</p> <p>Once the probe is seated successfully in the socket, do not pull or put any twisting force on the Probe.</p> <p>If possible, avoid repeatedly removing and reinserting the probe in the socket.</p> |
|-----------|------------------------------------|--|

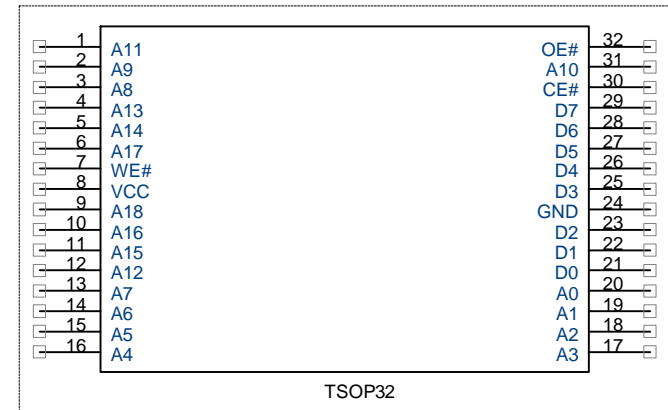
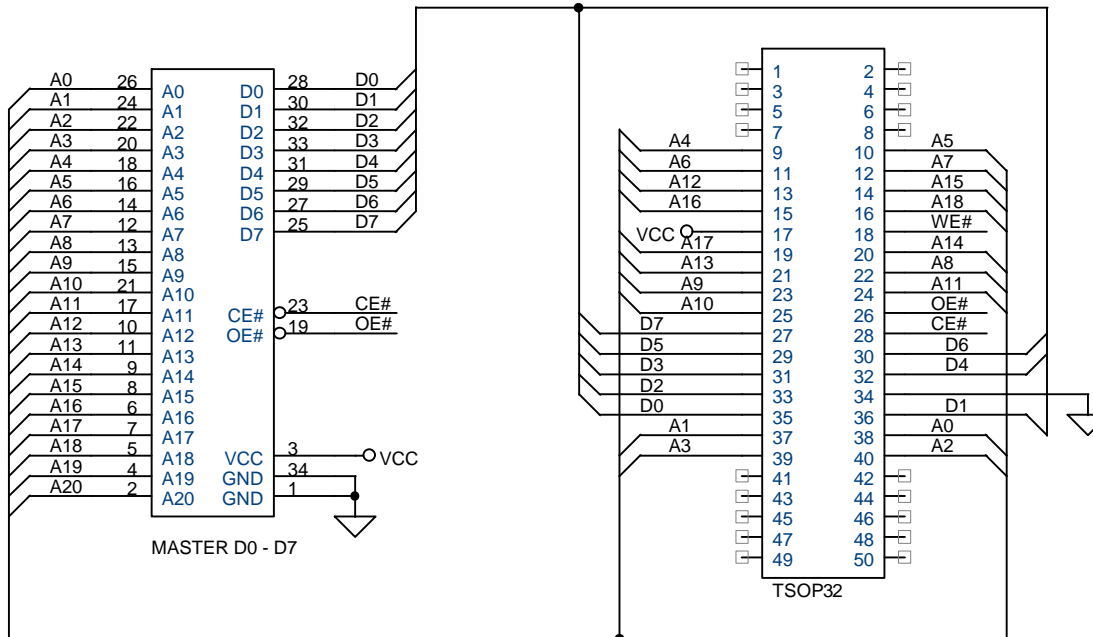
**You are now ready to power up your target and PromICE. Please consult your PromICE manual for further setup information.**

**Contact your Grammar Engine Sales Representative to order these parts and accessories:**

|                    |  |  |
|--------------------|--|--|
| <b>Cable Parts</b> | <b>TSOP32 BD</b><br><b>34FFEXT</b><br><b>34FF2.5 EXT</b><br><b>TSOP32CPH</b><br><br><b>TSOP32 socket</b><br><br><b>SR81 BD</b> | Adapter Board<br>6" Shielded Ground Plane Cable<br>2.5" Shielded Ground Plane Cable<br>32 pin TSOP plug-in flex probe<br>(AlpTex #923707-32)<br>32 TSOP socket<br>(Alp-Tex #980020-32) |
| <b>Accessories</b> | <b>3VA8</b>  | 3 Volt Adapter   |

# TSOP32

## 8-bit



Board ID: TSOP-32 rev 0

**NOTES:**

**MAX SIZE: 512KB (P1040)**  
**SUPPORTS: All 32 pin TSOPs.**  
**PROMICE JUMPER SETTING: 32**

Grammar Engine Inc.

921 Eastwind Drive  
 Suite 122  
 Westerville OH 43081

Title  
 TSOP32

|           |                             |            |
|-----------|-----------------------------|------------|
| Size<br>A | Document Number<br>087-0020 | Rev<br>2.0 |
|-----------|-----------------------------|------------|

Date: Monday, July 12, 1999 Sheet 1 of 1